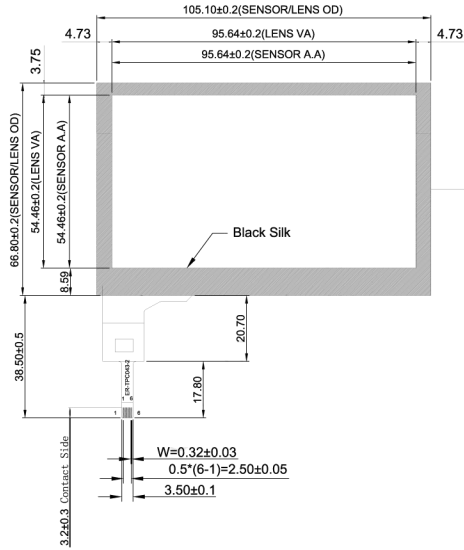


VER	DESCRIPTION	DATE
A0	NEW DESIGN	Jul-09-2015

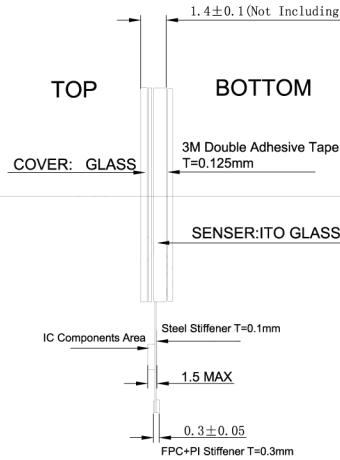
NOTES:

- 1.The general tolerance is $\pm 0.20\text{mm}$.
- 2.All materials in the drawing comply with the RoHS.

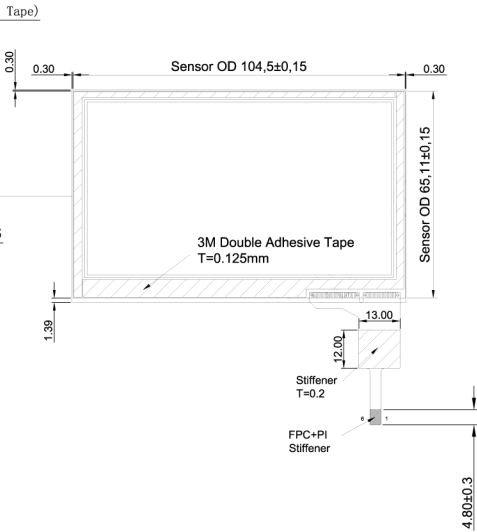
Top View



Side View



Bottom View



Item	Specification
1.Type	P+G
2.Operating Voltage	1.8V~3.5V
3.Operation Temperature	-20℃~70℃
4.Storage Temperature	-30℃~80℃
5.Connect Material	FPC
6.Response Time	≤25ms
7.Light Transparency	87% Min.
8.Surface Hardness	≥6H(Pencil)

IC PIN#	FT5206 ASSIGNMENT
1	SCL
2	SDA
3	VDD
4	RESET
5	INT
6	GND

DRAWN BY : JIM	CHECKED BY : JAVEN	APPROVED BY : TONY	CD	
			UNIT: MM	SIZE: A4
			SHEET: 1 OF 1	
PART NUMBER: ER-TPC043-2		REV: A0		